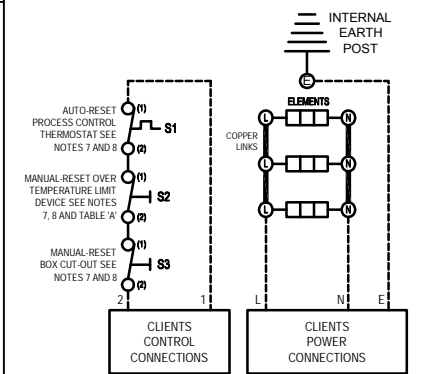
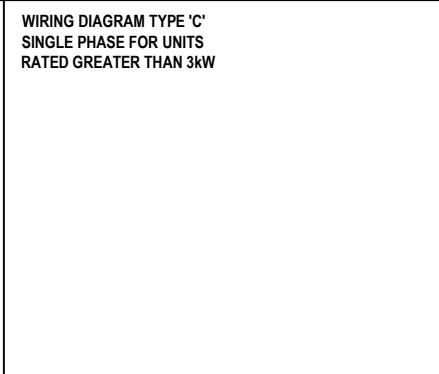
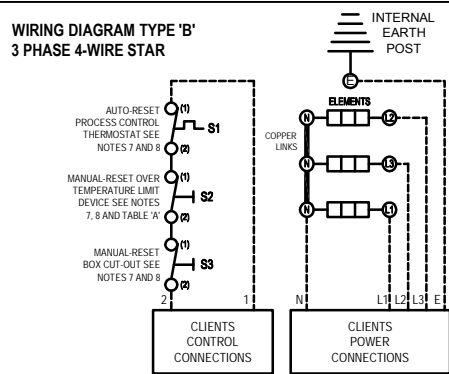
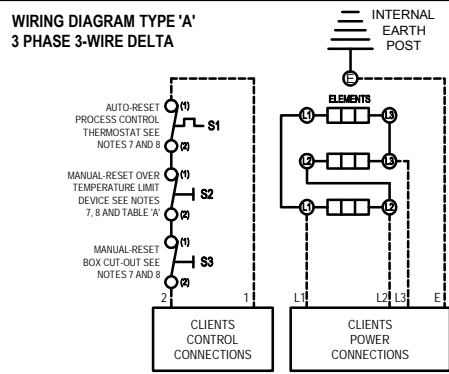


- NOTES**
- RATING AND SUPPLY -
  - PROCESS FIXING -
  - ENCLOSURE - RFA (CAST ALUMINIUM IP67)
  - ELEMENT(S) -
  - THERMOSTAT POCKET(S) -
  - HEATER SPECIFICATION :  
 II 2G EEx'd IIC FLAMEPROOF HEATER EN50014 AND EN50018 GROUP IIC. SEE TABLE 'A' FOR TEMPERATURE CLASS. CERTIFICATE No LCIE 99 ATEX 6006X
  - CONTROLS -  
 S1  
 S2  
 S3
  - HEATERS MUST HAVE A MINIMUM OF 1 OFF EITHER OVER-TEMPERATURE THERMOSTAT or CUTOUT WHICH MUST BE MANUALLY RESET BY EITHER:  
 a) DEVICE BEING AUTO RESET, MANUALLY RESET AT THE CONTROL PANEL BY KEY SWITCH or SPECIAL TOOL.  
 b) DEVICE BEING MANUAL RESET BY SPECIAL TOOL.
  - CABLE ENTRIES - (SUPPLIED PLUGGED)
  - MAX. OPERATING PRESSURE -
  - FINISH :  
 TERMINAL BOX PAINTED TO HEATEX SPEC 3003-01-61 APPENDIX 'A' SYSTEM 7 RAL 3002 (RED).  
 REMAINDER NATURAL.
  - REFER TO WIRING DIAGRAM TYPE



**TABLE 'A'**

LIMIT DEVICE MAX. SET POINTS (°C)		
T6	70°C	70°C
T5	90°C	85°C
T4	100°C	90°C
'T' CLASS	RFA1	RFA2

2	S1 & S2 REVERSED.	22/04/04	MJP	RW	RW
1	FIRST ISSUE (3006-02-S1-01 SHI 4)	10/02/04	MJP	GB	RW
REV	COMMENTS	DATE	DRWN	CHKD	APPR

THIS DRAWING IS THE COPYRIGHT AND PROPERTY OF  
**HEATEX LTD**  
 NORFOLK ENGLAND

Certificate No. FM 26078

**SCALE NOT TO SCALE**  
 3rd ANGLE PROJECTION

ALL DIMENSIONS IN MILLIMETRES UNLESS OTHERWISE STATED

DO NOT SCALE!

IF IN DOUBT, ASK!

WHERE ELECTRONIC DOCUMENTS ARE SUPPLIED, THE END PRODUCT MUST CONFORM TO THE PAPER ORIGINAL.

PRODUCT: RFA SERIES FLAMEPROOF IMMERSION HEATER

FORMAT: Acrobat PDF

**TITLE**  
 RFA SERIES STAND-OFF FLANGED ROD TYPE FLAMEPROOF IMMERSION HEATER GENERAL ARRANGEMENT

STOCK CODE No.	
HEATEX DRAWING No.	
SHEET No.	04 of 04
REV	02